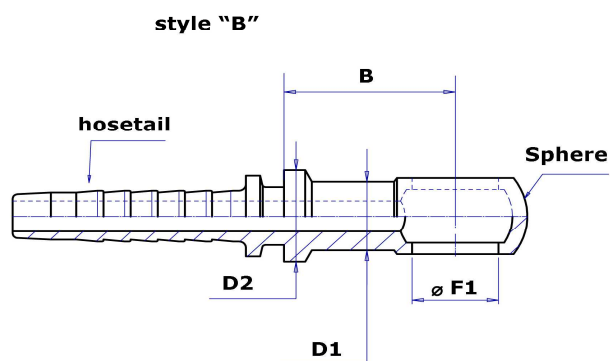
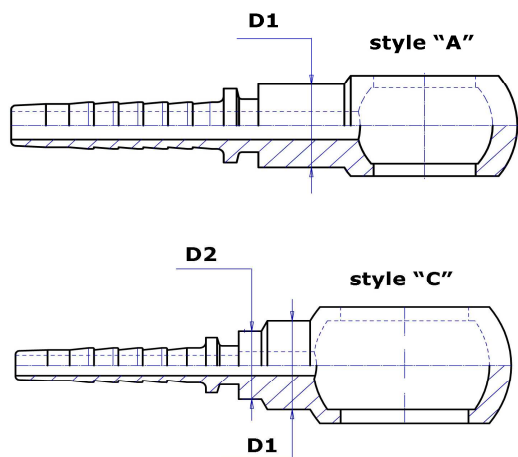


BSP BANJO

Occhiello BSP

RINGNIPPEL BSP



Part Nr.	HOSETAIL			F1 thread	Sphere mm	style	B mm	D1 mm	D2 mm	stock=X on request=ON
	size	inches	DN							
IBB-03-02	-3	3/16	04	1/8	17	A	19,3	9,5		X
IBB-03-04	-3	3/16	04	1/4	24	C	25,8	12	10	ON
IBB-04-02	-4	1/4	06	1/8	17	B	24,7	9	12	X
IBB-04-04	-4	1/4	06	1/4	24	A	26	12		X
IBB-04-06	-4	1/4	06	3/8	28	A	26,3	13		X
IBB-05-04	-5	5/16	08	1/4	24	B	26	12	14	ON
IBB-05-06	-5	5/16	08	3/8	28	A	26,3	14		X
IBB-06-04	-6	3/8	10	1/4	24	B	26	12	16	ON
IBB-06-06	-6	3/8	10	3/8	28	A	26,3	16		X
IBB-06-08	-6	3/8	10	1/2	36	C	30,5	22	16	X
IBB-08-06	-8	1/2	12	3/8	28	B	26,8	16	19	ON
IBB-08-08	-8	1/2	12	1/2	36	C	31	22	20	X
IBB-08-12	-8	1/2	12	3/4	45	C	37	26	22	ON
IBB-10-12	-10	5/8	16	3/4	45	C	37	26	24	ON
IBB-12-12	-12	3/4	20	3/4	45	A	37,5	26		X
IBB-12-16	-12	3/4	20	1	58	C	49,5	33	26	ON
IBB-16-16	-16	1	25	1	58	A	50,5	33		X